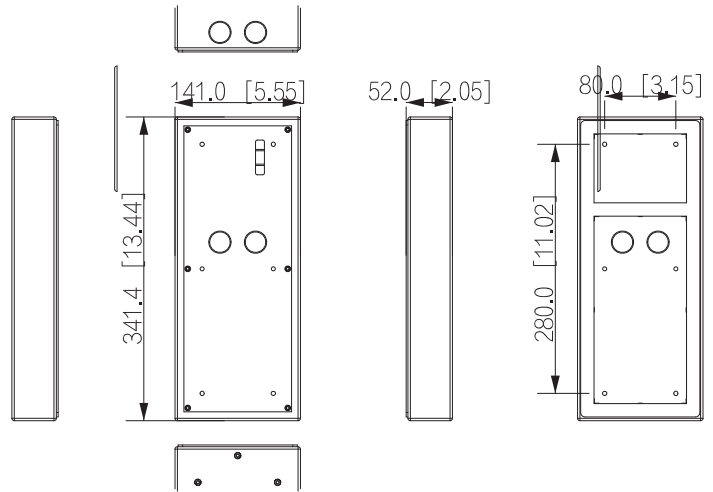


# VTM53R3/VTM27R3

## Rain Cover



### Dimensions (mm[inch])

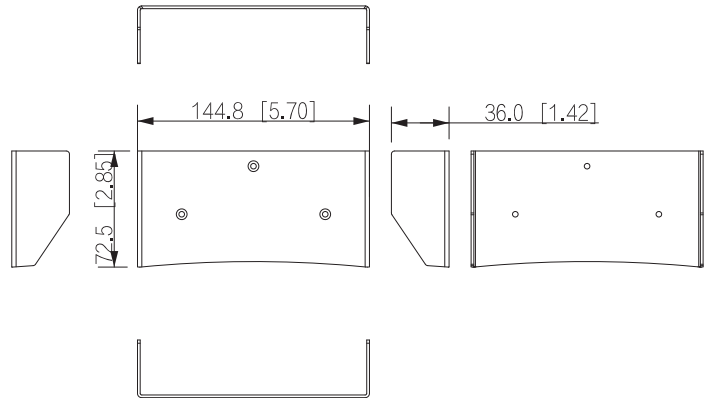


### Series Overview

The rain cover is intended to improving the device's service life by protecting it from sunlight and rain.

### Technical Specification

Casing	AL 5052
Appearance	Silver/Black
Installation	Surface mount
Gross Weight	0.83 kg (1.83 lb)



### Ordering Information

Type	Model	Description
Rain Cover	VTM53R3/VTM27R3	Rain cove for one 3-module VTO4202F/FB